



# GRAVE DIGGER<sup>®</sup>

# SMT10<sup>™</sup>

1/10th SCALE ELECTRIC 4WD - READY TO RUN



# SMT10

## CAUTIONS



To prevent serious personal injury and/or property damage, operate all remotely controlled models in a responsible manner as outlined herein.

### CHOOSE THE RIGHT PLACE TO OPERATE YOUR R/C MODEL.

- Do not run on public streets or highways. This could cause serious accidents, personal injuries, and/or property damage.
- Never run R/C models near people or animals.
- To avoid injury, do not run in confined spaces.
- Do not run where loud noises can disturb others, such as hospitals and residential areas.
- Never run indoors. There is a high risk of fire and/or damage.

### INSPECT YOUR MODEL BEFORE OPERATION.

- Make sure that all screws and nuts are properly tightened. It is also a good idea to use removable thread lock wherever metal screws go into metal, especially for engine mounts.
- Always use fresh batteries for your transmitter and for your receiver to avoid losing control of the model.
- Always test the brakes and throttle before starting your engine to avoid losing control of the model.

### AFTER OPERATION OF YOUR R/C MODEL

- Disconnect the battery from the ESC, then turn off the transmitter. This will prevent runaways.
- Be careful when handling batteries, they will be hot after running.
- Replace any batteries that have been dented or have frayed wires, short circuits can cause fire.
- Be sure to keep your R/C model clean and free of excess dirt and grease, this will increase the life.

## VORSICHT!



Um Verletzungen an Personen und/oder Sachschäden zu vermeiden, sollten alle ferngesteuerten Modelle sorgfältig und verantwortungsbewusst bedient werden, wie nachfolgend beschrieben.

### Wählen Sie den richtigen Platz zum Fahren

- Fahren Sie niemals auf öffentlichen Straßen. Dies könnte Verkehrsunfälle, Personen schäden oder Sachschäden verursachen.
- Fahren Sie niemals in der Nähe von anderen Personen oder Tieren.
- Fahren Sie niemals auf belebten Straßen.
- Fahren Sie nie in der Nähe von Wohnhäusern oder Krankenhäusern. Der Lärm könnte andere Personen stören.
- Fahren Sie niemals in Innenräumen. Dort könnte etwas beschädigt werden.

### Überprüfen Sie Ihr Modell, bevor Sie es in Betrieb nehmen.

- Gehen Sie sicher, dass alle Schrauben und Muttern festgezogen sind. Verwenden Sie überall dort Schrauben-Sicherungslack, wo Metallschrauben in ein Metallgewinde greifen, besonders bei den Motorhaltern.
- Um Störungen zu vermeiden, benutzen Sie immer voll geladene Akkus in Ihrem Sender und Empfänger.
- Bevor Sie den Motor starten, sollten Sie immer die Funktion der Bremse und des Gashebels testen.

### Nach Betrieb des RC Modells:

- Zuerst den Empfänger abdrehen, dann den Sender abdrehen um unkontrolliertes Durchgehen zu vermeiden.
- Seien Sie vorsichtig mit gebrauchten Akkus, sie können nach dem Gebrauch heiß sein.
- Ersetzen Sie Akkus/Batterien die beschädigt sind oder schadhafte Kabel aufweisen, sie können Kurzschlüsse oder Feuer verursachen.
- Halten Sie Ihr Fahrzeug sauber und entfernen Sie Schmutz und Schmierfett, damit erhöhen Sie die Lebensdauer Ihres Modells.

## PRECAUTIONS



Afin d'éviter toutes blessures corporelles et/ou dommages environnants, veuillez procéder en toute responsabilité comme indiqué ci-dessous

### Choisir le lieu adéquat pour faire rouler votre modèle.

- Ne jamais rouler dans les rues ou sur les routes ouvertes au public. Ceci peut provoquer de graves accidents.
- Ne jamais rouler près de personnes ou d'animaux.
- Pour éviter les blessures, ne pas rouler dans des espaces confinés.
- Ne jamais rouler où le bruit peut déranger, comme aux abords des hôpitaux ou des quartiers résidentiels.
- Ne jamais rouler à l'intérieur: les gaz d'échappement sont nocifs.

### Controler votre modèle avant chaque utilisation.

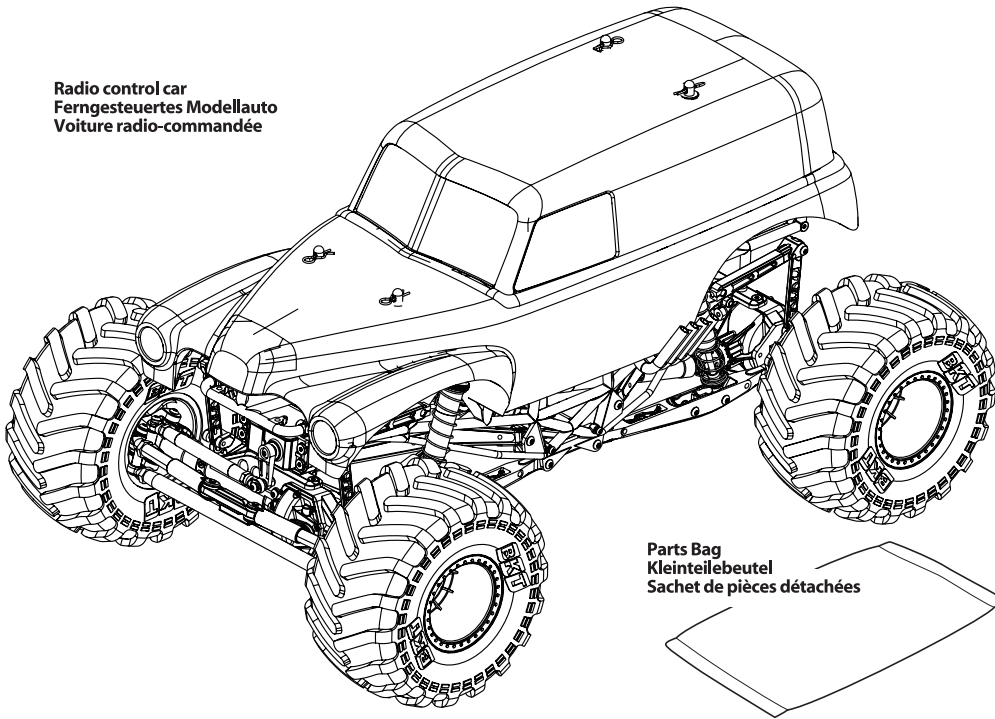
- Vérifier que les vis et les écrous sont bien serrés. Il est très fortement conseillé d'utiliser du frein filet pour bloquer les vis qui sont en contact avec du métal et tout particulièrement les vis du moteur.
- Toujours utiliser des batteries bien chargées pour l'émission et la réception.
- Toujours vérifier les freins et la commande des gaz avant de démarrer.

### Après l'Opération De Votre Modèle de R/C

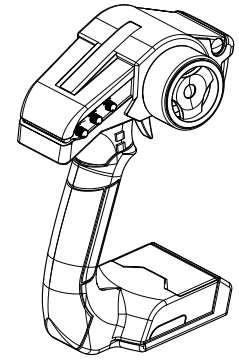
- Le virage du récepteur premier, alors virage de l'émetteur, ceci empêchera des fugitifs.
- Faire attention en contrôlant des piles, ils auront chaud après avoir couru.
- Remplacer n'importe quelles piles qui ont été cabossées ou a éraillé des fils, les court-circuits peuvent causer le feu.
- Etre sûr de garder votre modèle de R/C nettoie et libère de terre et la graisse supplémentaires, ceci augmentera la vie.

Included items / Im Baukasten enthalten / Outils inclus dans le kit

Radio control car  
Ferngesteuertes Modellauto  
Voiture radio-commandée

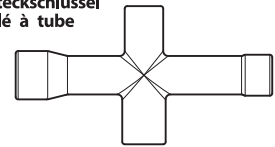


Parts Bag  
Kleinteilebeutel  
Sachet de pièces détachées

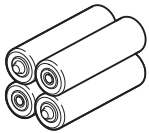


2.4GHz  
Transmitter  
Sender  
Emetteur

Cross wrench  
Steckschlüssel  
Clé à tube



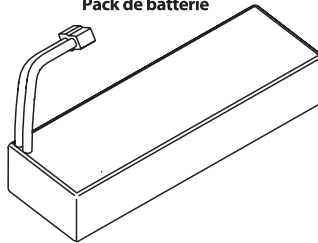
Equipment needed / Benötigtes Zubehör / Equipement nécessaire



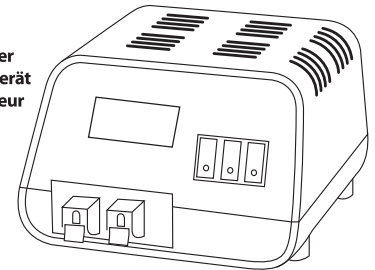
x4

4 AA Alkaline Dry Batteries.  
4 St. AA Trockenbatterien.  
4 piles type R6 pour votre  
radio commande.

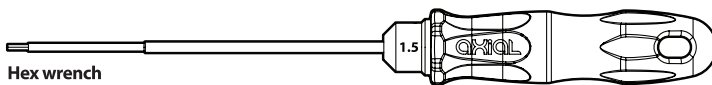
Battery Li-Po or NiMH  
Akku-Pack  
Pack de batterie



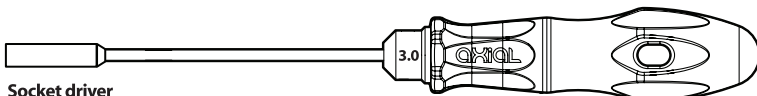
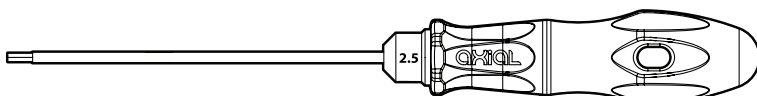
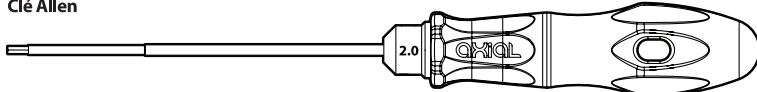
Charger  
Ladegerät  
Chargeur



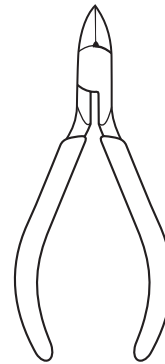
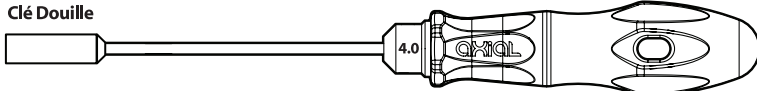
Tools Recommended / Benötigte Werkzeuge / Outillage



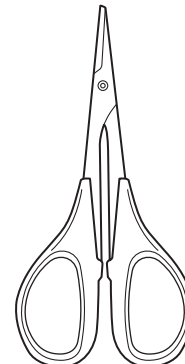
Hex wrench  
Inbusschlüssel  
Clé Allen



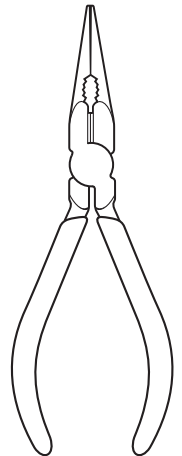
Socket driver  
Steckdosezieher  
Clé Douille



Side cutter  
Seitenschneider  
Pincès coupantes

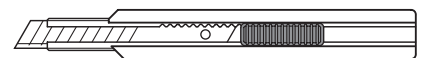


Curved scissors  
Schere  
Ciseaux

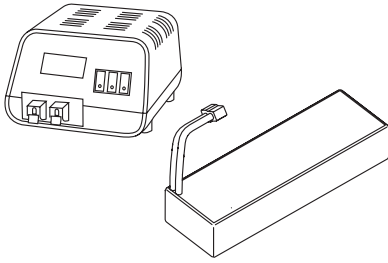


Long nose pliers  
Flachzange  
Pincès à becs longs

Modeling knife  
Modelliermesser  
Couteau de modéliste



Charge your battery / Laden des Fahrakkus / Chargement de la batterie



Follow the manufacturer's directions for the charger you purchased to properly charge your batteries.

Folgen Sie den Herstelleranweisungen für den Auflader Ihres gekauften ordentlich, Ihre Batterien zu laden.

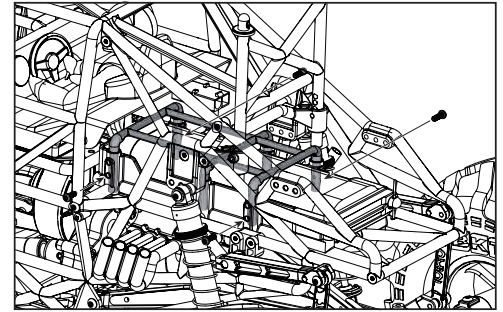
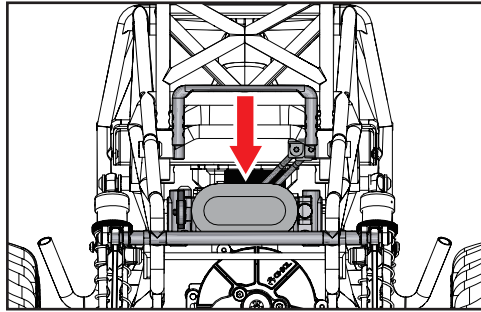
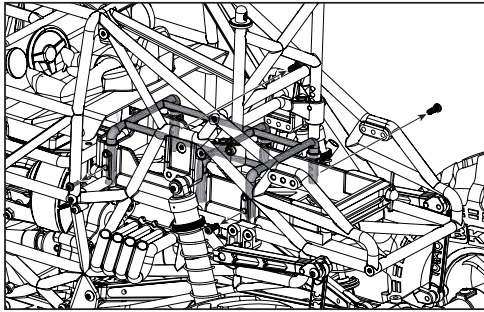
Suivre les directions de fabricant pour le chargeur votre a acheté convenablement pour charger vos piles.

Do not use a Nickel Cadmium or Nickel Metal Hydride battery charger to charge LiPo batteries. Damage to the batteries and charger will likely occur resulting in a fire.

Verwenden Sie keine Nickel-Cadmium- oder Nickel-Metall-Hydrid-Akku Ladegerät LiPo-Akkus aufladen. Schäden an den Batterien und Ladegerät wird wahrscheinlich auftreten, was zu einem Brand.

Ne pas utiliser un chargeur de batterie au nickel-cadmium ou nickel-métal-hydrure pour recharger les batteries LiPo. Les dommages aux batteries et le chargeur se produira probablement de provoquer un incendie.

Battery Tray Adjustment



1. Remove clip to open battery access door

2. Slide battery into tray to check clamp height

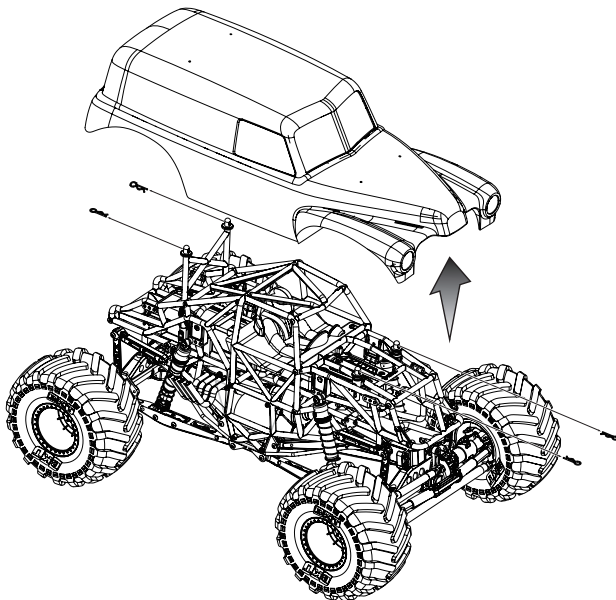
3. Remove x4 M3x8mm AXA434 screws

4. Adjust battery clamp to fit snug against battery.

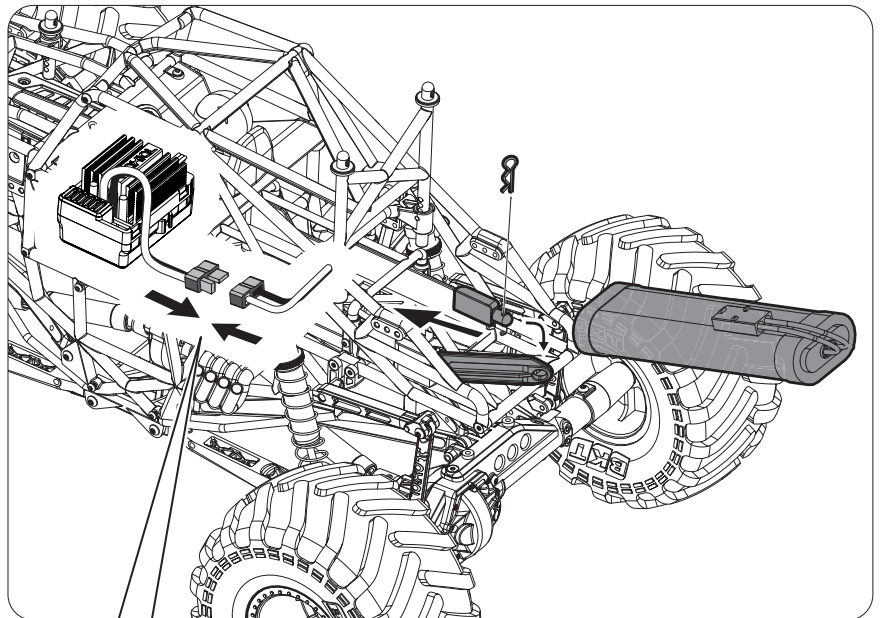
5. Reinstall x4 M3x8mm screws

6. Close battery access door and insert clip

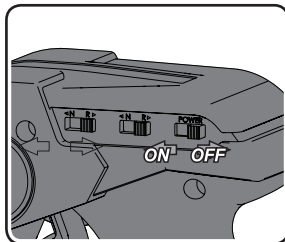
① Remove the body



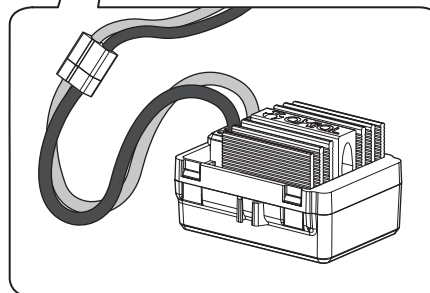
③ Install and connect the battery



② Turn on the transmitter



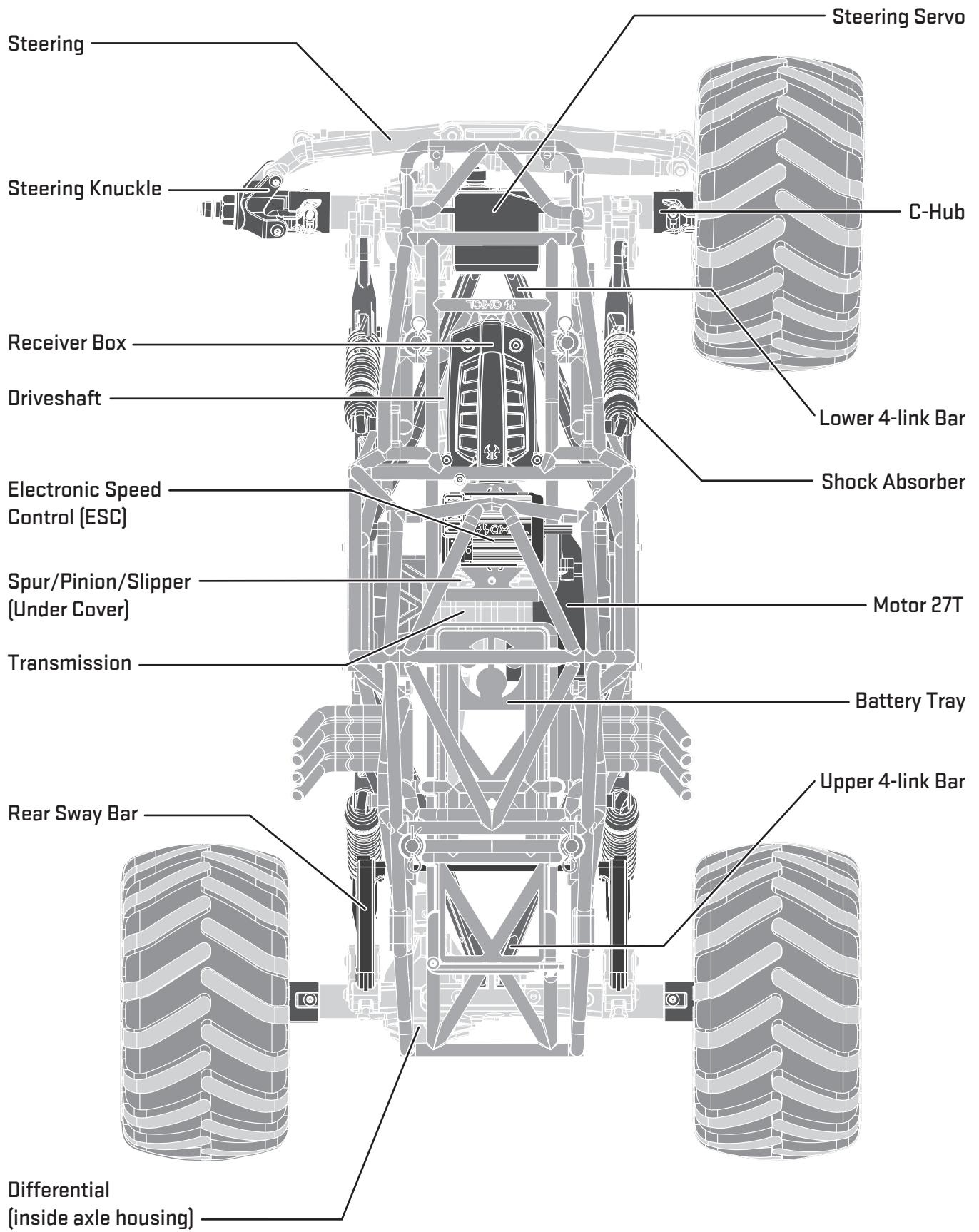
④ Reattach the body to vehicle



Note:  
Power to the vehicle is controlled by connecting / disconnecting the battery.

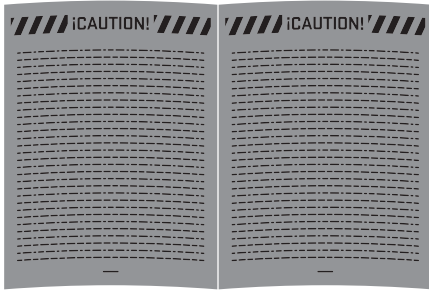
Always unplug the battery when not in use, do not leave vehicle stored plugged in.

# Top View Parts

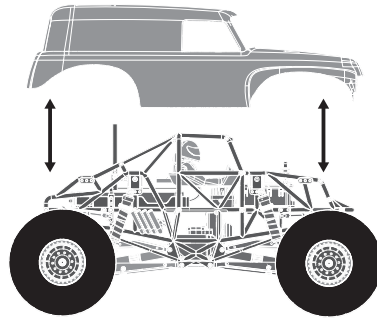


# Getting-Started Checklist

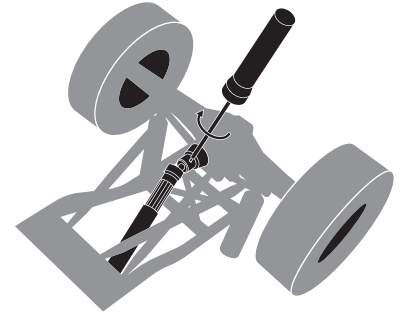
The following checklist is a guide for getting you vehicle running for the first time.



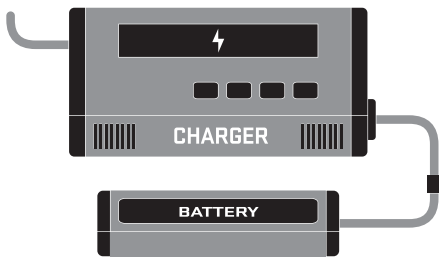
Read 'Cautions' in Manual. (Page 2)



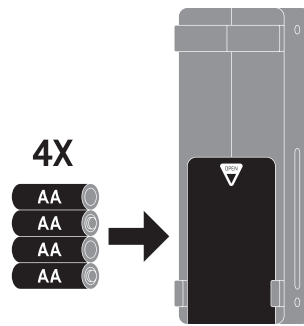
Familiarize yourself with vehicle and its components.



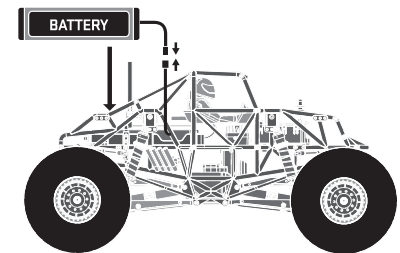
Even though the vehicle is new check driveshaft setscrews and other screws to make sure they are tight from the factory.



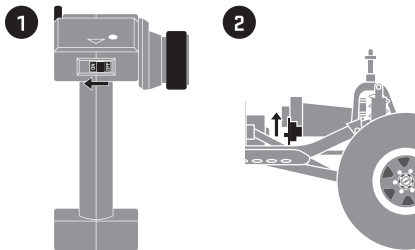
Charge battery pack. (Page 4)



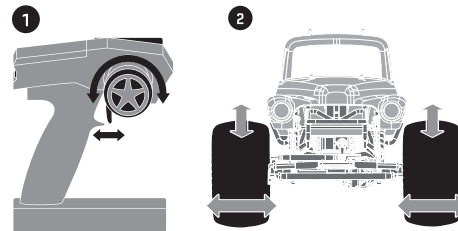
Install 4X AA batteries into Transmitter. (Page 7)



Install battery pack in vehicle. (Page 4)



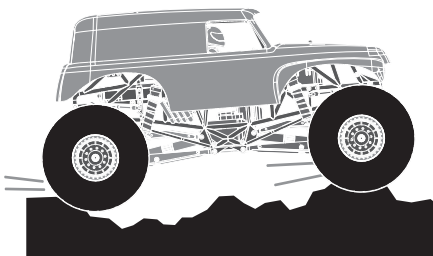
Turn on transmitter FIRST then ESC. (Page 4)



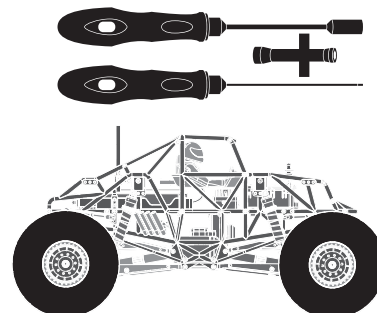
Check to make sure steering and throttle operation work correctly. (Page 7)



Range check radio system. (Next Page)



Drive vehicle, challenge yourself and have fun!



Maintain vehicle. (Next Page)

## Range-Checking Your Radio System

The radio system should be checked before operating the vehicle to ensure it's operating properly and has adequate range.



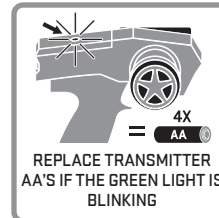
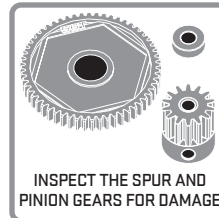
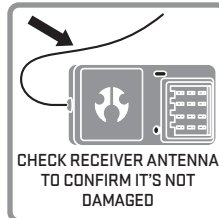
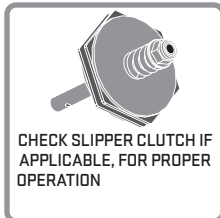
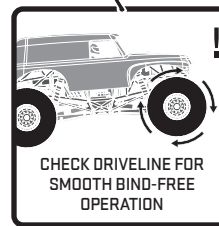
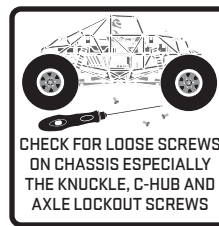
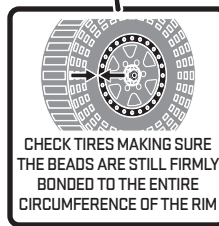
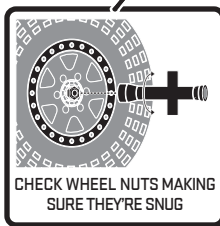
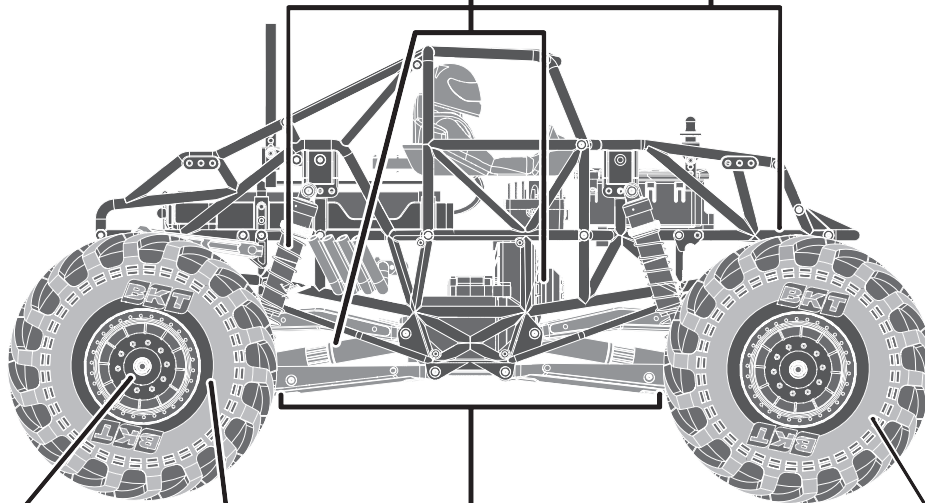
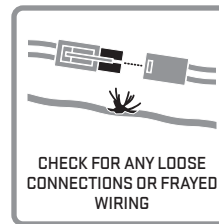
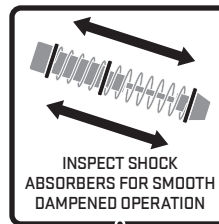
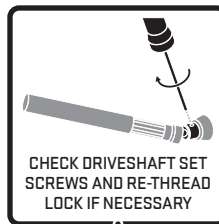
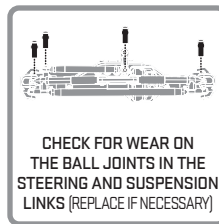
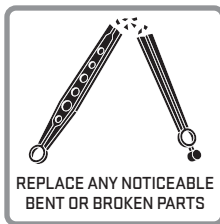
1. Turn on the transmitter first and then the vehicle.
2. Have a friend hold the vehicle while keeping hands and loose clothing away from moving parts.
3. Walk away until you are at the farthest distance you plan to operate the vehicle.
4. Steer the vehicle back and forth and throttle both forward and reverse making sure there is no erratic behavior.
5. If any erratic behavior is exhibited do not operate the vehicle, call customer service for further assistance.



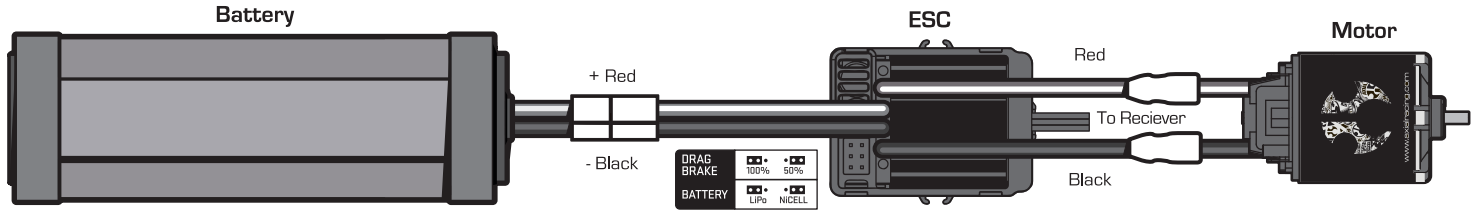
RANGE-CHECKING FOR DISTANCE

## Maintaining Your Vehicle

Just like a full size car or truck your RC vehicle must undergo periodic maintenance in order to ensure peak running performance. Preventative maintenance will also help avoid needless breakages which could result in costly repairs. Below are some suggestions to properly maintain your vehicle.



# AE-5 Forward/Reverse ESC w/ Drag Brake



## Setup:

Throttle calibration should not be needed out-of-the-box. However in order to make the throttle range of different transmitters, the calibration of the ESC is necessary:

- Mount the ESC in an area that is well ventilated and isolated from vibration and shock.
- Connect the ESC motor wires to the motor red-red & black-black.
- Plug the receiver with into the throttle channel on the receiver. The black negative wire should be towards the outside of the receiver.
- Before plugging the battery into the ESC, make sure your transmitter is on and the throttle trim is set at zero.
- Connect the battery to the ESC, this will turn on the ESC.
- Test forward and reverse control using the transmitter.
- To calibrate the ESC, make sure the transmitter is on and the throttle control is at neutral.
- Connect the battery to the ESC and wait 3 seconds to let the ESC initiate a self-test and automatic throttle calibration.

When the ESC is ready to run a long beep sound will be emitted from the motor.  
Always disconnect the battery when the vehicle is not in use.

## Notes:

- Drag Brake set to 100% from the factory.
- LiPo Cut-Off is set to "ON" from the factory.

## Specifications:

|                            |                                |
|----------------------------|--------------------------------|
| <b>Input Voltage:</b>      | 2-3S LiPo, 5-9 Cells NiMH/NiCd |
| <b>Size:</b>               | 46,5mm x 34mm x 28,5mm         |
| <b>Weight:</b>             | 70g                            |
| <b>Motor Limit:</b>        | 12T 2S / 18T 3S                |
| <b>On-Resistance FET:</b>  | .002                           |
| <b>Rated/Peak Current:</b> | 180A                           |
| <b>Braking Current:</b>    | 90A                            |
| <b>BEC Voltage/A:</b>      | 6.0V 3.0A Peak                 |
| <b>PWM Frequency:</b>      | 1KHz                           |

## Beep Sound and LED Status:

|                       |  |
|-----------------------|--|
| <b>1 Short Beep:</b>  | Battery is NiMH/NiCd   |
| <b>2 Short Beeps:</b> | Battery is 2S Lipo   |
| <b>3 Short Beeps:</b> | Battery is 3S Lipo   |
| <b>1 Long Beep:</b>   | Self-test and throttle calibration is OK and ESC is ready to run |



CONNECT THE BATTERY PACK JUST BEFORE DRIVING AND DISCONNECT IT IMMEDIATELY AFTER.  
ALWAYS MAKE SURE YOU ARE CONNECTING THE ESC TO A PROPER POWER SOURCE THAT HAS THE CORRECT VOLTAGE & POLARITY. INCORRECT VOLTAGES OR REVERSED POLARITY WILL DAMAGE THE ESC.  
ONCE THE BATTERY PACK IS CONNECTED, HANDLE THE MODEL WITH EXTREME CARE, MAKE SURE YOU ARE CLEAR OF ALL ROTATING PARTS.



# Gear Ratio / Getriebeübersetzung

Use this equation to calculate the final drive ratio.  
**Final Drive Gear Ratio = (Spur/Pinion) X 7.2**

Mit dieser Gleichung können Sie die Gesamtübersetzung berechnen.

**Gesamtübersetzung = (Spur/Pinion) X 7.2**

**Slower - More Torque**  
 Langsamer - Mehr Kraft



**Faster - Less Torque**  
 Schneller - Weniger Kraft

**\*NOTE: NOT ALL GEAR FITMENT OPTIONS ARE AVAILABLE**

| 32 Pitch 38/13T (Stock Gearing AX30392 or AX30395) |           |       |       |       |
|--|-----------|-------|-------|-------|
|  | Spur Gear |       |       |       |
| Pinion   | 56        | 60    | 64    | 68    |
| 11   | 38.69     | 41.45 | 44.22 | 46.98 |
| 12   | 35.47     | 38.00 | 40.53 | 43.07 |
| 13   | 32.74     | 35.08 | 37.42 | 39.75 |
| 14   | 30.40     | 32.57 | 34.74 | 36.91 |
| 15   | 28.37     | 30.40 | 32.43 | 34.45 |
| 16   | 26.60     | 28.50 | 30.40 | 32.30 |
| 17   | 25.04     | 26.82 | 28.61 | 30.40 |

| 32 Pitch 43/13T (Underdrive Gearing AX30402) |           |       |       |       |
|--|-----------|-------|-------|-------|
|  | Spur Gear |       |       |       |
| Pinion                                       | 56        | 60    | 64    | 68    |
| 11   | 43.78     | 46.91 | 50.04 | 53.16 |
| 12   | 40.13     | 43.00 | 45.87 | 48.73 |
| 13   | 37.05     | 39.69 | 42.34 | 44.98 |
| 14   | 34.40     | 36.86 | 39.31 | 41.77 |
| 15   | 32.11     | 34.40 | 36.69 | 38.99 |
| 16   | 30.10     | 32.25 | 34.40 | 36.55 |
| 17   | 28.33     | 30.35 | 32.38 | 34.40 |

| 32 Pitch 36/14T (Overdrive Gearing AX30401) |           |       |       |       |
|---|-----------|-------|-------|-------|
|   | Spur Gear |       |       |       |
| Pinion                                      | 56        | 60    | 64    | 68    |
| 11  | 34.04     | 36.47 | 38.90 | 41.33 |
| 12  | 31.20     | 33.43 | 35.66 | 37.89 |
| 13  | 28.80     | 30.86 | 32.91 | 34.97 |
| 14  | 26.74     | 28.65 | 30.56 | 32.47 |
| 15  | 24.96     | 26.74 | 28.53 | 30.31 |
| 16  | 23.40     | 25.07 | 26.74 | 28.41 |
| 17  | 22.02     | 23.60 | 25.17 | 26.74 |

## Warranty Info

### AXIAL LIMITED WARRANTY

Your Axial product is warranted to be free of defects in materials and workmanship when new in the factory sealed box. This warranty does not cover damages due to normal wear and tear, users' failure to perform routine maintenance, error of assembly or installation, modifications or addition of aftermarket parts or option parts. This warranty lasts as long as the original purchaser owns the product and is not transferable (verified by dated itemized sales receipt accompanied with product). In the event of a defect under this warranty, Axial will, at our discretion, repair or replace the product, provided our inspection indicates that an original defect exists. Axial provides a 10-day warranty from the date of purchase on electronics (i.e. servo, esc, radio). Axial reserves the right to replace any product which is no longer available with a product of comparable value and function. If Axial determines the repair is not covered under warranty guidelines, there could be a charge applied for the repair and return shipping charges. Note: Purchasing products from unauthorized distributors may void warranty and prevent support and service.

### INTERNATIONAL CUSTOMER WARRANTY

Please return product to the dealer where the purchase was made. If your Axial product purchase was made through an on-line retailer, any warranty issues must be taken care of by that retailer. Axial assumes no responsibility for Axial products sold internationally by on-line retailers.

### REPAIR

For warranty repair, please contact Axial Customer Service at (877) 64-AXIAL (877-642-9425).

### HOURS AVAILABLE:

8:00 am - 5:00 pm Monday through Friday, Central Time.

**Problem**  
**Problem**  
**Problème**

**Cause**  
**Grund**  
**Cause**

**Remedy**  
**Lösung**  
**Remède**

**Does not move**  
**Das Auto fährt nicht**  
**Le véhicule ne bouge pas**

**Batteries are not installed properly in the transmitter.**  
**Die Batterien sitzen nicht korrekt im Sender.**  
**Les piles ne sont pas placées correctement dans l'émetteur.**

**Make sure batteries are properly installed.**  
**Legen Sie die Batterien korrekt ein.**  
**Positionnez correctement les piles dans l'émetteur.**

**Weak or no battery in model.**  
**Leerer oder kein Akku im Auto.**  
**Batterie faible ou non installée**

**Install charged battery.**  
**Einbauen eines geladenen Akkus.**  
**Mettez en place une batterie chargée**

**Damaged motor.**  
**Kaputter Motor.**  
**Moteur endommagé**

**Replace with new motor.**  
**Austausch durch einen neuen Motor.**  
**Remplacez par un nouveau moteur**

**Frayed or broken wiring.**  
**Beschädigte Verkabelung.**  
**Câble dénudé ou coupe**

**Splice and insulate wiring completely.**  
**Erneuern und isolieren Sie die kaputte Stelle.**  
**Faites une épissure et isolez complètement le câble.**

**ESC is shut down by heat protection circuit.**  
**Notabschaltung des Reglers wegen Überhitzung.**  
**Le système ESC est fermé par le circuit de protection thermique.**

**Stop driving immediately, do not drive the car until the Speed Controller cools down.**  
**Fahren Sie nicht weiter. Warten Sie bis der Fahrten regler abgekühlt ist.**  
**Arrêtez immédiatement de conduire, ne pilotez pas la voiture tant que le contrôleur de vitesse n'a pas refroidi.**

**No Control.**  
**Keine Kontrolle über das Auto**  
**Pas de contrôle**

**Improper antenna on transmitter or model.**  
**Zu kurze Antenne am Sender oder Auto.**  
**Antenne inadéquate sur l'émetteur ou le véhicule**

**Install charged or fresh batteries.**  
**Einbauen voller Batterien.**  
**Mettez des batteries rechargées ou neuves.**

**Weak or no batteries in transmitter or model.**  
**Leere oder keine Batterien im Sender oder Auto.**  
**Batterie faible ou absente dans l'émetteur ou le véhicule.**

**Fully extend antenna.**  
**Ziehen Sie die Antenne vollständig aus.**  
**Dépliez complètement l'antenne.**

**Neutral position or trim is incorrect.**  
**Neutralposition oder Trimmung sind verstellt.**  
**La position neutre est incorrecte ou le trim n'est pas réglé.**

**Adjust the steering trim.**  
**Stellen Sie die Lenkungstrimmung neu ein.**  
**Réglez le trim de direction.**

**Are the receiver and battery connections properly connected?**  
**Sind der Empfänger und die Batterieverbindungen ordentlich verbunden?**  
**Son conectadas apropiadamente las conexiones del receptor y la batería?**

**Check receiver and battery connections.**  
**Prüfen Sie Empfänger und Batterieverbindungen.**  
**Compruebe conexiones de batería y receptor.**

**Steering and Throttle Function Reversed.**  
**Lenkung und Gas funktionieren genau verkehrt herum.**  
**Direction et accélération inverses.**

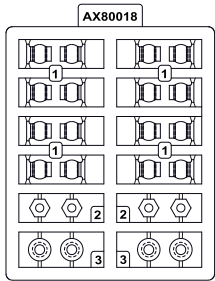
**Servo reverse switch is in wrong position.**  
**Servorichtungs-Schalter ist in der falschen Position.**  
**L'interrupteur de marche arrière du servo est dans la mauvaise position**

**Set to correct position.**  
**Satz, Position zu korrigieren**  
**Vérifiez la position correcte**

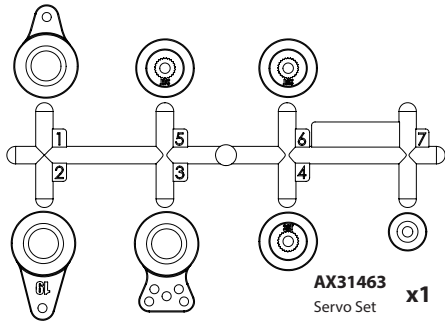
**Please check that the wires from ESC to motor are connected properly.**  
**Bitte überprüfen Sie, ob die Kabel vom Regler zum Motor richtig sitzen.**  
**Veuillez vérifier que les fils allant de l'ESC au moteur sont correctement raccordés.**

**Check to make sure motor and ESC are properly connected.**  
**Kontrolle sich zu vergewissern, dass Motor und ESC ordentlich verbunden sind.**  
**Le contrôle pour assurer que le moteur et ESC est convenablement connecté.**

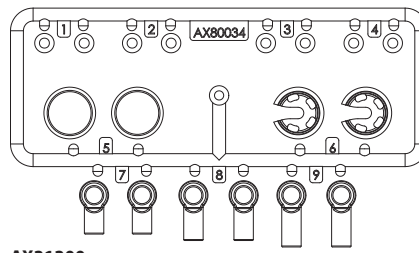
Parts Reference / Übersicht aller Teile / Référence des pièces



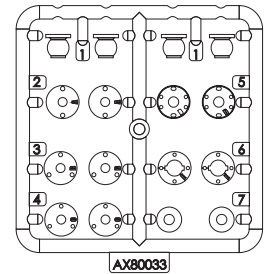
**AX80018**  
Hardware  
Parts Tree **x3**



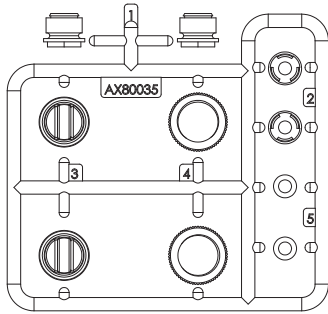
**AX31463**  
Servo Set **x1**



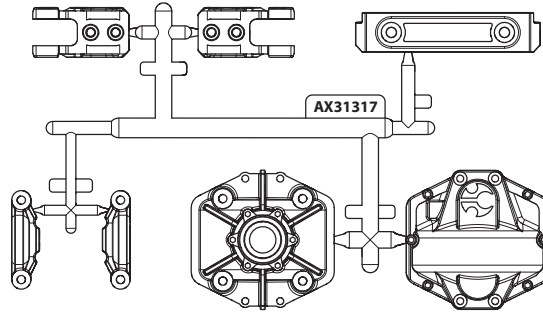
**AX31300**  
10mm Shock  
Parts Tree 2 (Blue) **x2**



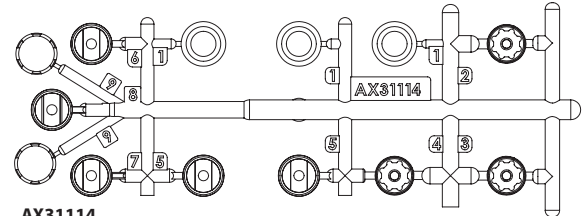
**AX80033**  
10mm Shock Set 1 **x2**



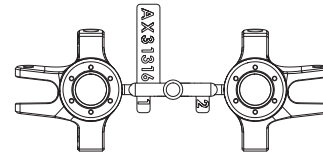
**AX31301**  
10mm Shock Caps  
Parts Tree (Blue) **x2**



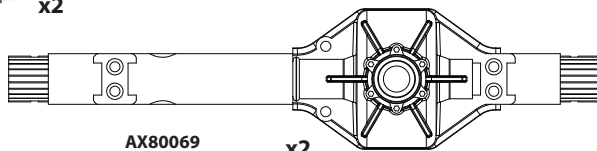
**AX31317**  
AR60 Differential Cover and PTO **x2**



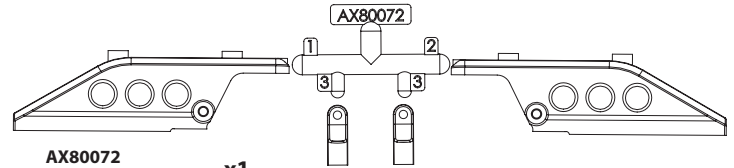
**AX31114**  
WB8 Driveshaft **x2**



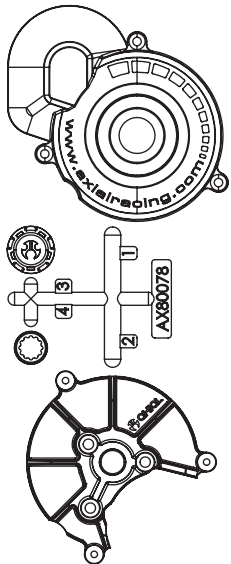
**AX31316**  
AR60 Dual Shear  
Steering Knuckle Set **x1**



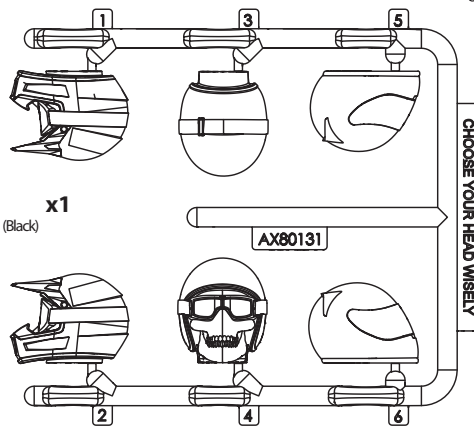
**AX80069**  
Offset Axle Housing **x2**



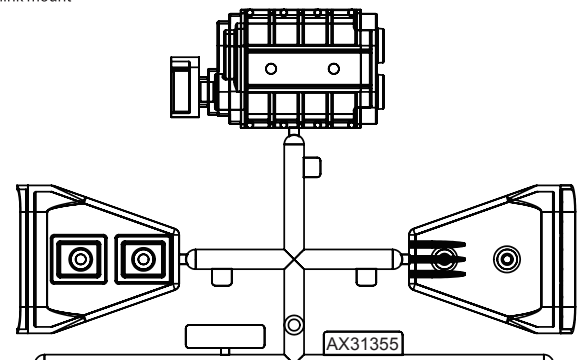
**AX80072**  
Offset Axle 4 link mount **x1**



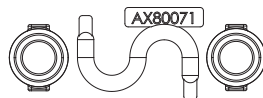
**AX80078**  
Transmission Gear Cover **x1**



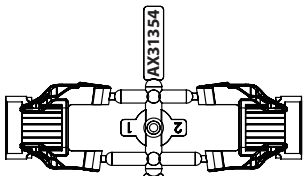
**AX80131**  
Helmet Set (Black) **x1**



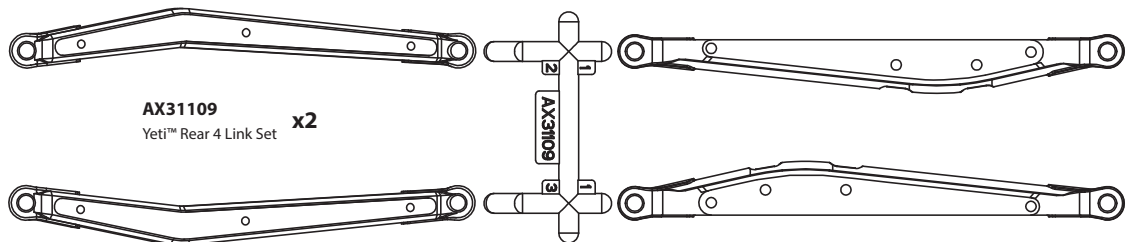
**AX31355**  
Monster Truck Motor Details **x1**



**AX80071**  
Straight Axle Adapter Rear **x1**



**AX31354**  
AR60 Heavy Duty C-Hub Carrier **x1**

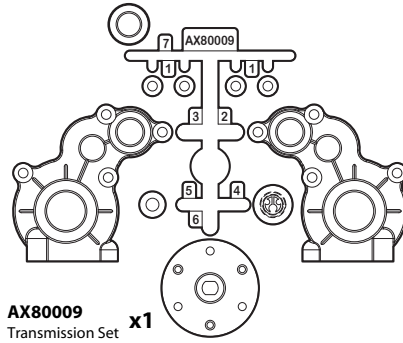
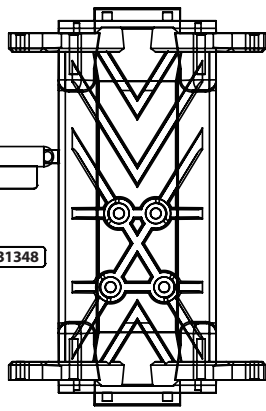
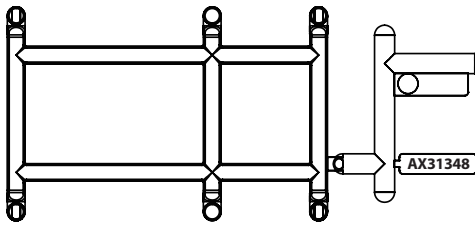


**AX31109**  
Yeti™ Rear 4 Link Set **x2**

**AX31348**

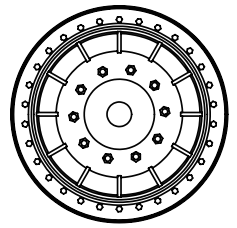
Monster Truck Skid Plate and Battery Capture

x1



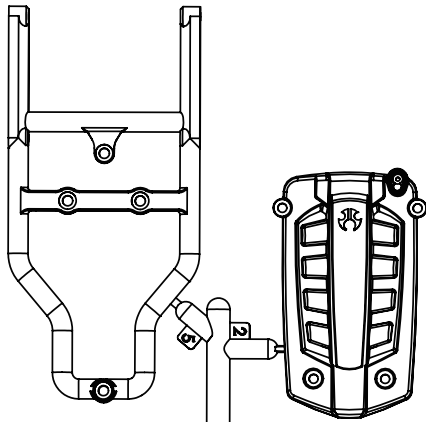
**AX80009**  
Transmission Set

x1

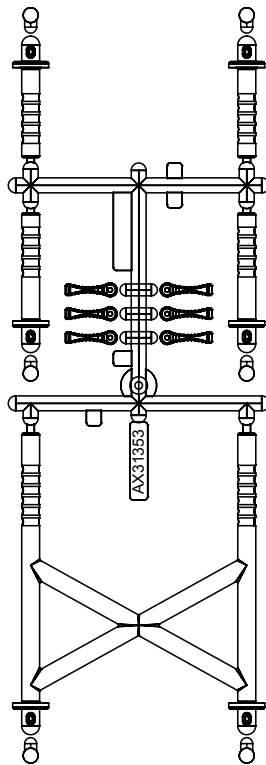


**AX31464**  
2.2 Monster Truck Wheels  
63mm (Silver)

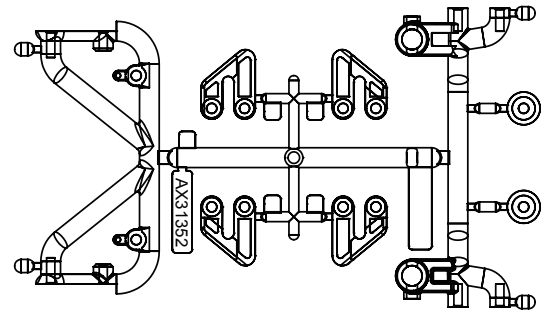
x4



**AX31179**  
Tube Frame Electronics Box

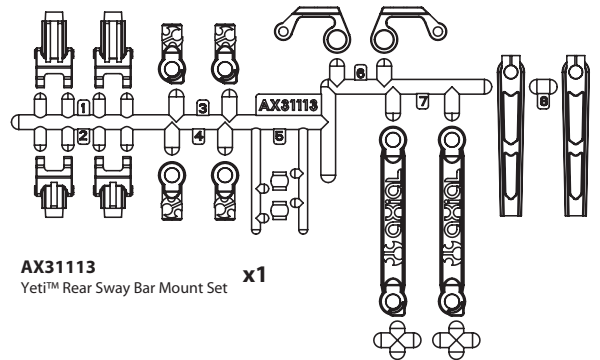


**AX31353**  
Monster Truck Body Post Set



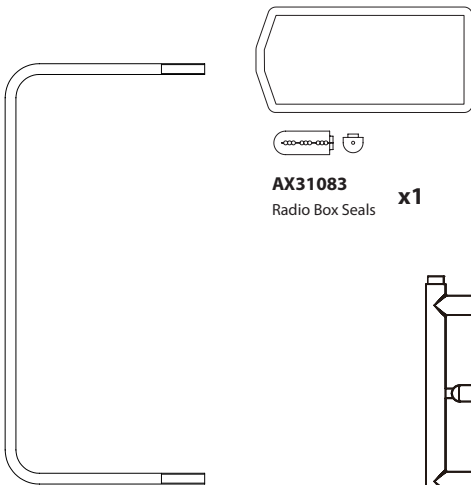
**AX31352**  
Monster Truck Cage Front and Rear

x1



**AX31113**  
Yeti™ Rear Sway Bar Mount Set

x1



**AX31058**  
Yeti Rear Sway Bar 3.0mm

x1

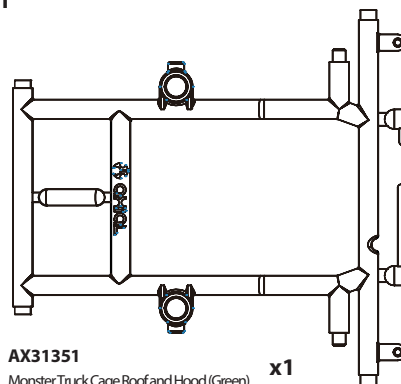
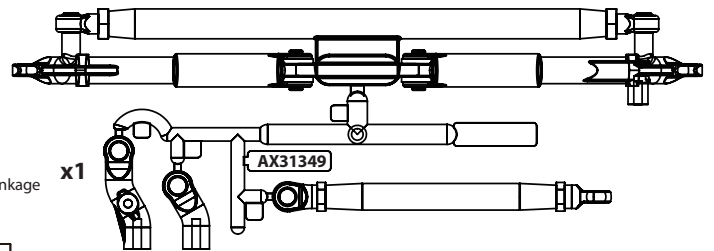
**AX31083**  
Radio Box Seals

x1

**AX31349**

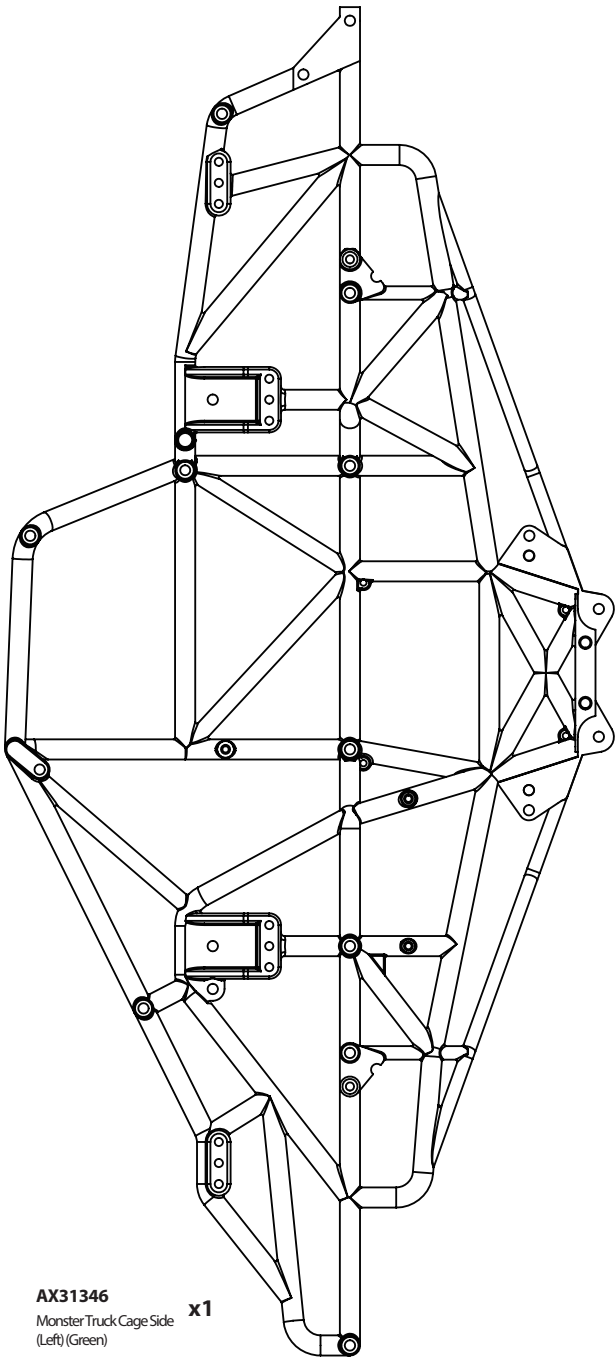
AR60 Heavy Duty Steering Linkage

x1

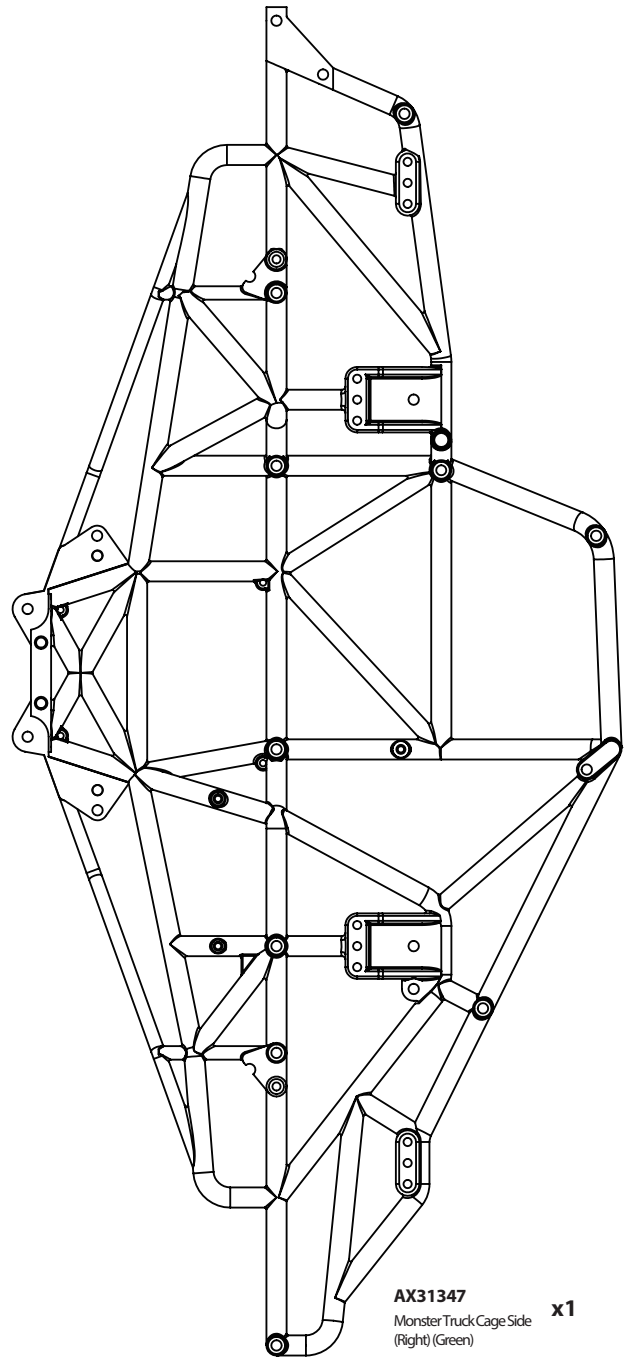


**AX31351**  
Monster Truck Cage Roof and Hood (Green)

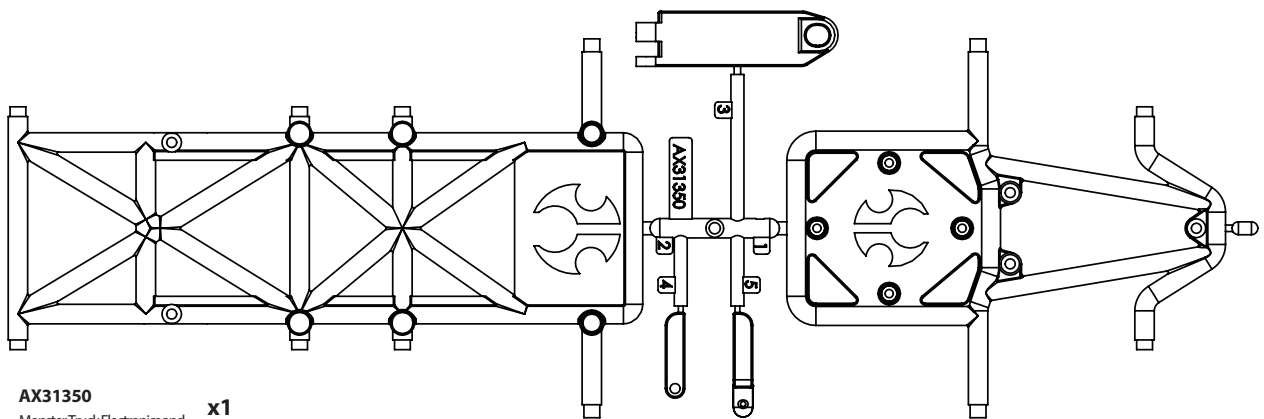
x1



**AX31346**  
 Monster Truck Cage Side  
 (Left) (Green) **x1**

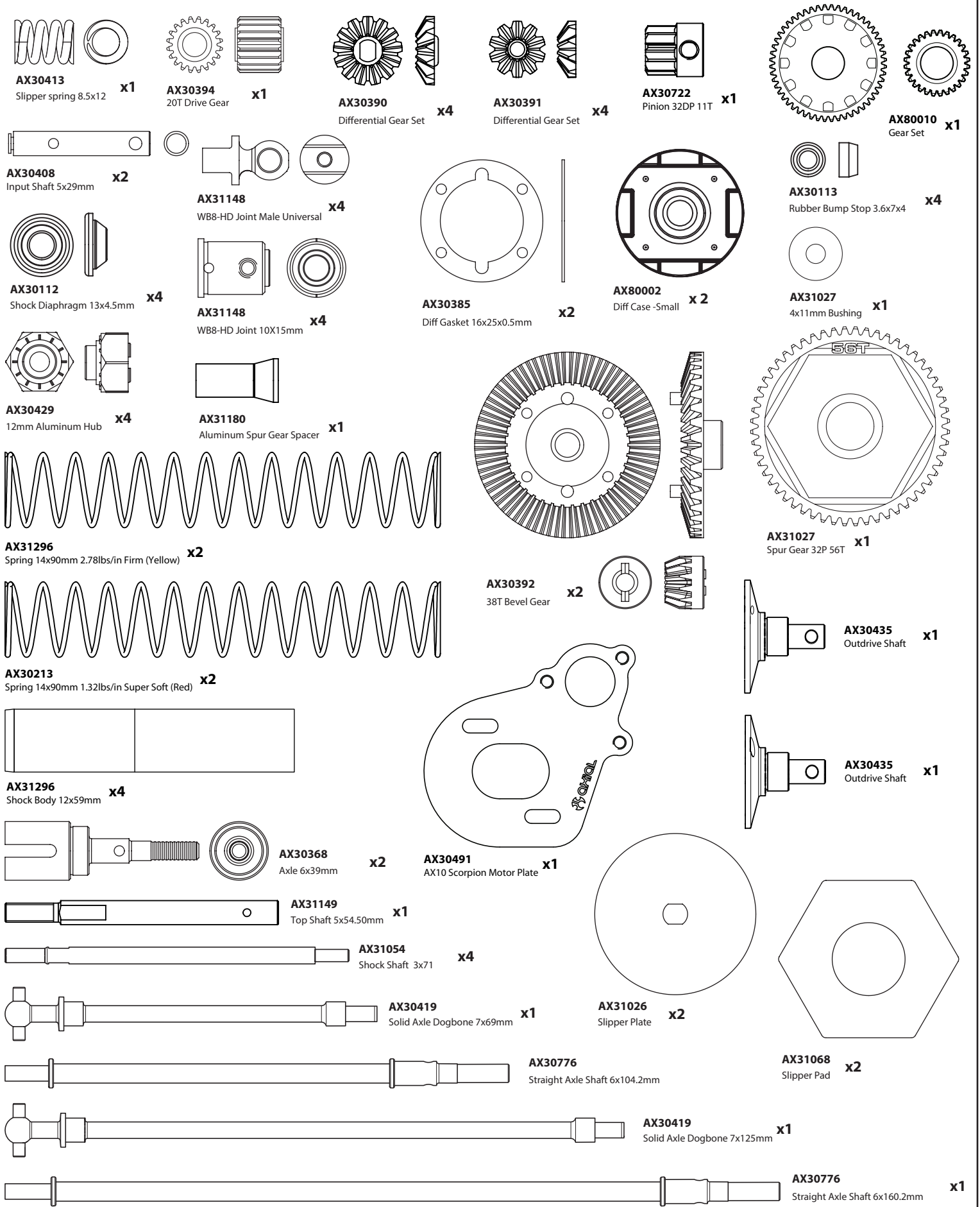


**AX31347**  
 Monster Truck Cage Side  
 (Right) (Green) **x1**

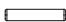
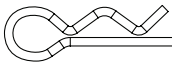
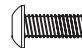


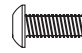
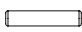
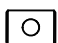
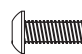


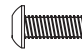





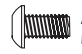
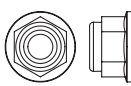

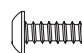

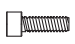
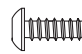


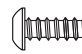

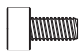
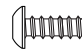


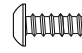

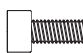
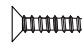


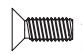


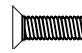

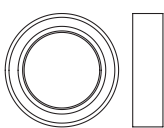
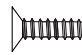


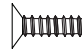
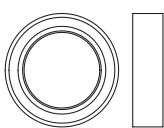
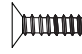



**AX31350**  
 Monster Truck Electronics and  
 Battery Tray (Green) **x1**

# Parts Reference / Übersicht aller Teile / Référence des pièces



# Parts Reference / Übersicht aller Teile / Référence des pièces

|  |   |            |   |   |            |   |                             |            |
|--|---|------------|---|---|------------|---|-----------------------------|------------|
|    | <b>AX30162</b><br>PIN 1.5 x8                    | <b>x1</b>  |    | <b>AXA1059</b><br>6mm Body Clip                       | <b>x5</b>  |    | <b>AXA115</b><br>M3x10mm    | <b>x13</b> |
|    | <b>AX31028</b><br>PIN 2.0 x11                   | <b>x8</b>  |    | <b>AX30450</b><br>Flange Pipe 3x4.5x5.5               | <b>x4</b>  |    | <b>AXA116</b><br>M3x12mm    | <b>x2</b>  |
|    | <b>AX30163</b><br>Pin 2x10mm                    | <b>x2</b>  |    | <b>AX30810</b><br>Universal joint Axle Pin holder     | <b>x4</b>  |    | <b>AXA117</b><br>M3x15mm    | <b>x15</b> |
|    | <b>AX30190</b><br>Shaft 5x18                    | <b>x1</b>  |    | <b>AXA180</b><br>M3x3mm                               | <b>x10</b> |    | <b>AXA118</b><br>M3x18mm    | <b>x2</b>  |
|    | <b>AX30170</b><br>Pin 3x22mm                    | <b>x2</b>  |    | <b>AXA291</b><br>M4x4mm Set Screw                     | <b>x1</b>  |    | <b>AX31280</b><br>M2.6x6mm  | <b>x14</b> |
|    | <b>AXA1393</b><br>E2.5 e-clip                   | <b>x2</b>  |    | <b>AXA0286</b><br>M4x12mm Screw Shaft                 | <b>x8</b>  |    | <b>AXA0113</b><br>M3x6mm    | <b>x9</b>  |
|    | <b>AXA1045</b><br>M4 Nylon Lock Nut             | <b>x5</b>  |    | <b>AXA0109</b><br>M3x10mm<br>Oversize Flat Hex Socket | <b>x4</b>  |    | <b>AXA434</b><br>M3x8mm     | <b>x9</b>  |
|    | <b>AXA1041</b><br>M2.5 Nylon Lock Nut           | <b>x4</b>  |   | <b>AXA013</b><br>M2x6mm Hex Socket Cap Head           | <b>x4a</b> |    | <b>AXA436</b><br>M3x12mm    | <b>x16</b> |
|    | <b>AXA1052</b><br>M3 Thin Nylon Locking Hex Nut | <b>x10</b> |  | <b>AXA015</b><br>M3x10mm                              | <b>x16</b> |  | <b>AXA0437</b><br>M3x15mm   | <b>x4</b>  |
|    | <b>AXA1053</b><br>M3 Thin Nylon Locking Hex Nut | <b>x4</b>  |  | <b>AXA083</b><br>M3x6mm                               | <b>x2</b>  |  | <b>AXA438</b><br>M3x18mm    | <b>x2</b>  |
|  | <b>AXA1069</b><br>Washer 2.7x6.7x0.5 mm         | <b>x8</b>  |  | <b>AXA087</b><br>M3x16mm                              | <b>x8</b>  |  | <b>AXA0439</b><br>M3x20mm   | <b>x10</b> |
|  | <b>AXA1070</b><br>Washer 3x6x0.5 mm             | <b>x3</b>  |  | <b>AXA089</b><br>M3x25mm                              | <b>x3</b>  |  | <b>AXA0414</b><br>M2.6x10mm | <b>x10</b> |
|  | <b>AXA1218</b><br>Bearing 5x10x4mm              | <b>x4</b>  |  | <b>AXA091</b><br>M3x30mm                              | <b>x2</b>  |  | <b>AXA144</b><br>M3x8mm     | <b>x8</b>  |
|  | <b>AXA1184</b><br>O-Ring 7.5x1.5mm              | <b>x4</b>  |   | <b>AXA1221</b><br>Bearing 5x11x4mm                    | <b>x21</b> |  | <b>AX31185</b><br>M3x10mm   | <b>x2</b>  |
|  | <b>AXA1202</b><br>O-Ring 3.5x2mm                | <b>x8</b>  |   | <b>AXA1230</b><br>Bearing 10x15x4mm                   | <b>x6</b>  |  | <b>AXA465</b><br>M3x10mm    | <b>x10</b> |
|  | <b>AXA1221</b><br>Bearing 5x11x4mm              | <b>x21</b> |   | <b>AXA1225</b><br>Bearing 8x16x5mm                    | <b>x2</b>  |  | <b>AXA466</b><br>M3x12mm    | <b>x2</b>  |
|  | <b>AXA1230</b><br>Bearing 10x15x4mm             | <b>x6</b>  |   |   |            |  | <b>AXA0467</b><br>M3x16mm   | <b>x6</b>  |
|  | <b>AXA1225</b><br>Bearing 8x16x5mm              | <b>x2</b>  |   |   |            |   |                             |            |

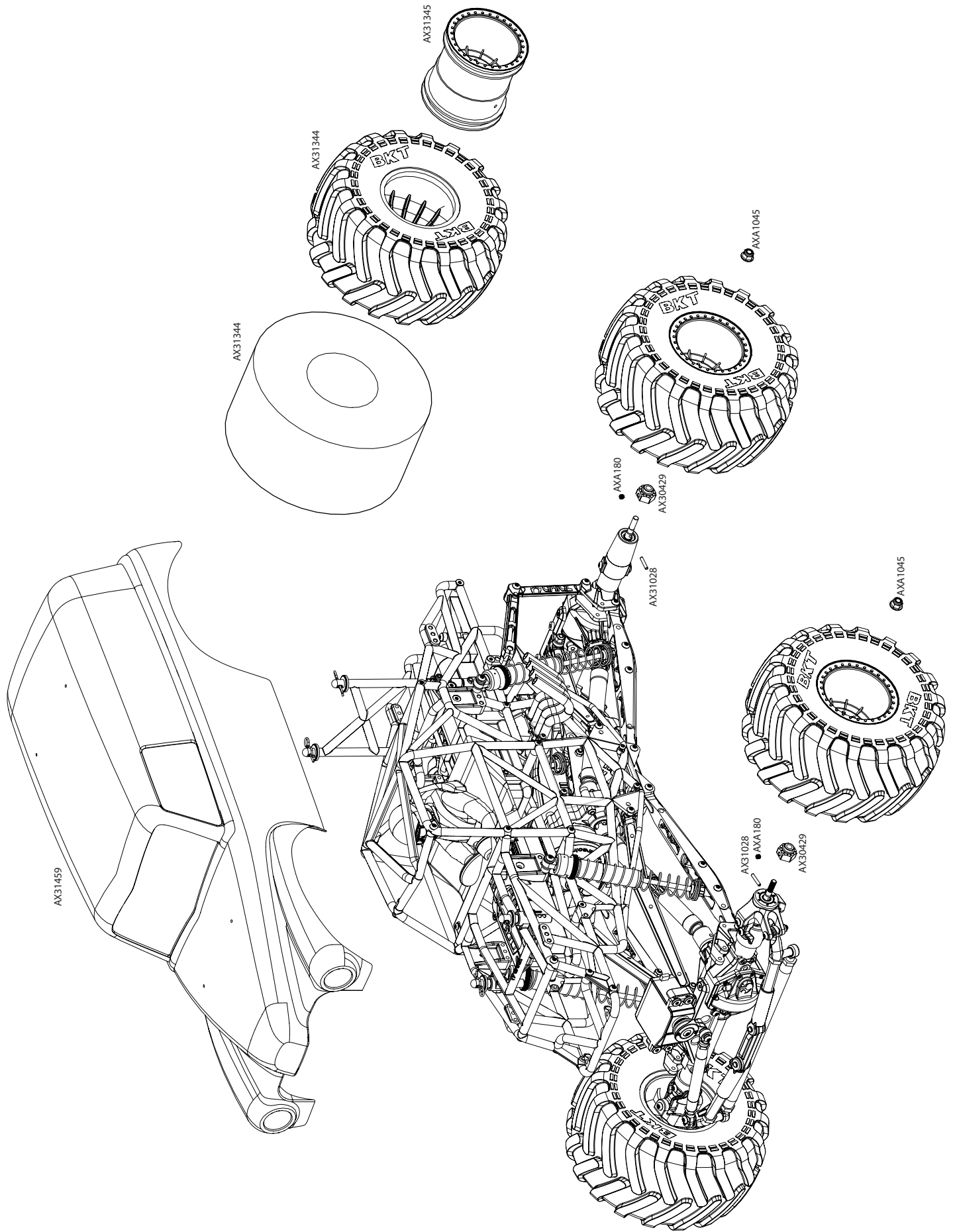












# Parts List

| Part #  | Description  | Part #  | Description   |
|---------|--|---------|---|
| AX24004 | 877493004866 Axial 27T Electric Motor                                | AX80071 | 877493009861 AR60 OCP Straight Axle Adapter                         |
| AX30112 | 877493007096 Shock Diaphragm 13x4.5mm (6pcs)                         | AX80072 | 877493009878 AR60 OCP 4-Link Mount                                  |
| AX30113 | 877493007089 Rubber Bump Stop 3.6x7x4 (6pcs)                         | AX80078 | 877493009632 Transmission Spur Gear Cover                           |
| AX30162 | 877493002923 Pin 1.5x8mm (6pcs.)                                     | AXA0109 | 816874012038 M3x10mm Oversized Flat Hex Socket (Black) (10pcs)      |
| AX30163 | 877493002930 Pin 2.0x10mm (6pcs.)                                    | AXA0113 | 877493009786 M3x6mm Hex Socket Button Head (Black) (10pcs)          |
| AX30170 | 877493002954 Shaft 3 x 22 (2pcs)                                     | AXA013  | 877493003265 M2x6 mm Cap Head (Black) (10pcs)                       |
| AX30190 | 877493002961 Shaft 5x18 (2pcs.)                                      | AXA015  | 877493003272 M2x10mm Cap Head (Black) (10pcs)                       |
| AX30213 | 877493004200 Spring 14x90mm 1.32 lbs/in - (Red)                      | AXA0286 | 816874010874 Screw Shaft M4x2.5x12mm (6pcs)                         |
| AX30216 | 877493004224 Spring 14x90mm 2.78 lbs/in - Firm (Yellow)              | AXA0414 | 877493008895 M2.6x10mm Hex Socket Tapping Flat Head (Black) (10pcs) |
| AX30368 | 877493009656 Axle 6x39mm (2pcs)                                      | AXA0437 | 877493008918 M3x15mm Hex Socket Tapping Button Head (Black) (10pcs) |
| AX30385 | 877493002992 Diff Gasket 16x25x0.5mm (2pcs)                          | AXA0439 | 877493009823 M3x20mm Hex Socket Tapping Button Head (Black) (10pcs) |
| AX30390 | 877493004644 Differential Gear Set                                   | AXA0467 | 877493008925 M3x16mm Hex Socket Tapping Flat Head (Black) (10pcs)   |
| AX30392 | 877493003005 Bevel Gear Set (38/13)                                  | AXA083  | 877493004750 M3x6mm Cap Head (Black) (10pcs)                        |
| AX30394 | 877493003739 20T Drive Gear  | AXA087  | 877493003326 M3x16mm Cap Head (Black) (10pcs)                       |
| AX30408 | 877493009663 Input Shaft 5x29mm (2pcs)                               | AXA088  | 877493003333 M3x20mm Cap Head (Black) (10pcs)                       |
| AX30413 | 877493004439 Slipper spring 8.5x12 165 lbs/in - Black (2pcs)         | AXA089  | 877493003340 M3x25mm Cap Head (Black) (10pcs)                       |
| AX30419 | 877493009670 AR60 OCP Front Dogbone Set                              | AXA091  | 877493007539 M3x30mm Cap Head - Black (10pcs)                       |
| AX30429 | 877493004668 12mm Aluminum Hub (Black) (4pcs)                        | AXA1041 | 877493007232 M2.5 Nylon Locking Hex Nut - Silver (10pcs)            |
| AX30435 | 877493009687 Steel Outdrive Shaft Set (2pcs)                         | AXA1045 | 877493003364 M4 Nylon Lock Nut (Black) (10pcs)                      |
| AX30450 | 877493003067 Flange Pipe 3x4.5x5.5 (4pcs)                            | AXA1052 | 877493008789 M3 Thin Nylon Locking Hex Nut (Black)                  |
| AX30491 | 877493004675 AX10 RTR Motor Plate                                    | AXA1053 | 877493003388 M3 Nylon Locking Hex Nut (Black) (10pcs)               |
| AX30722 | 816874011543 Pinion Gear 32P 11T (3mm shaft)                         | AXA1059 | 877493003395 6mm Body clip (Black) (10pcs)                          |
| AX30727 | 816874011277 Pinion Gear 32P 16T (3mm shaft)                         | AXA1069 | 877493007225 Washer 2.7x6.7x0.5 (10pcs)                             |
| AX30776 | 877493009731 AR60 OCP Rear Axle Set (2pcs)                           | AXA1070 | 877493003401 Washer 3x6x0.5 (10pcs)                                 |
| AX30810 | 816874010935 EXO™ Universal Joint Rebuild Set (Front or Rear) (2pcs) | AXA114  | 877493003449 M3x8mm Hex Socket Button Head (Black) (10pcs)          |
| AX31026 | 816874012281 Slipper Plate Washer 33x5x1.5mm (2pcs)                  | AXA115  | 877493007942 M3x10mm Hex Socket Button Head (Black) (10pcs)         |
| AX31027 | 816874012298 Spur Gear 32P 56T                                       | AXA116  | 877493007522 M3x12mm Hex Socket Button Head - Black (10pcs)         |
| AX31028 | 816874012366 Pin 2.0x11mm (6pcs)                                     | AXA117  | 877493007935 M3x15mm Hex Socket Button Head (Black) (10pcs)         |
| AX31054 | 816874012670 Shock Shaft 3x71mm (2pcs)                               | AXA118  | 877493007515 M3x18mm Hex Socket Button Head - Black (10pcs)         |
| AX31058 | 816874012755 Yeti™ Rear Sway Bar (3pcs) (Soft, Medium, Firm)         | AXA1184 | 877493006730 O-Ring 7.5x1.5mm (S8) - (10pcs)                        |
| AX31068 | 816874012373 Slipper Pad 32.8x15.2x1mm (2pcs)                        | AXA1202 | 877493007201 O-Ring 3.5x2mm (10pcs)                                 |
| AX31083 | 816874012663 Radio Box Seals   | AXA1218 | 877493003470 Bearing 5x10x4mm (2pcs)                                |
| AX31109 | 816874012489 Yeti™ Rear 4 Link Set                                   | AXA1221 | 877493003494 Bearing 5x11x4mm (2pcs)                                |
| AX31113 | 816874012526 Yeti™ Rear Sway Bar Mount Set                           | AXA1225 | 877493003500 Bearing 8x16x5mm (2pcs)                                |
| AX31114 | 816874012533 WB8-HD Driveshaft                                       | AXA1230 | 877493003517 Bearing 10x15x4mm                                      |
| AX31144 | 816874012311 AE-5 Waterproof Forward/Reverse ESC w/ Drag Brake       | AXA1393 | 877493003593 E2.5 e-clip (10pcs)                                    |
| AX31148 | 816874012656 WB8-HD Driveshaft Coupler Set                           | AXA144  | 877493008093 M3x8mm Hex Socket Flat Head (Black) (10pcs)            |
| AX31148 | 816874012656 WB8-HD Driveshaft Coupler Set                           | AXA180  | 877493003616 M3x3mm Set Screw (Black) (10pcs)                       |
| AX31149 | 816874012274 Slipper Drive Gear Shaft 5x54.50mm                      | AXA291  | 877493004187 M4x4mm Set Screw (Black) (6pcs.)                       |
| AX31179 | 816874014278 Tube Frame Electronics Box                              | AXA434  | 877493008079 M3x8mm Hex Socket Tapping Button Head (Black) (10pcs)  |
| AX31180 | 816874014223 Aluminum Spur Gear Spacer                               | AXA436  | 877493008048 M3x12mm Hex Socket Tapping Button Head (Black) (10pcs) |
| AX31185 | 816874013103 M3x10mm Hex Socket Flat Head (Black) (10pcs)            | AXA438  | 877493008055 M3x18mm Hex Socket Tapping Button Head (Black) (10pcs) |
| AX31280 | 816874014841 M2.6x6mm Hex Socket Button Head (Black) (10pcs)         | AXA465  | 877493008178 M3x10mm Hex Socket Tapping Flat Head (Black) (10pcs)   |
| AX31296 | 816874015251 Aluminum Shock Body 12x59mm (Clear Anodized) (2pcs)     | AXA466  | 877493008161 M3x12mm Hex Socket Tapping Flat Head (Black) (10pcs)   |
| AX31316 | 816874015077 AR60 Double Shear Steering Knuckle Set                  |         |   |
| AX31317 | 816874015084 RR10 AR60 Axle Component Set                            |         |   |
| AX31344 | 816874016548 2.2 BKT Monster Jam Tires - R35 Compound (2pcs)         |         |   |
| AX31346 | 816874016333 Monster Truck Cage Side (Left) (Green)                  |         |   |
| AX31347 | 816874016340 Monster Truck Cage Side (Right) (Green)                 |         |   |
| AX31348 | 816874016357 Monster Truck Skid Plate and Battery Capture (Green)    |         |   |
| AX31349 | 816874016326 AR60 Heavy Duty Steering Linkage                        |         |   |
| AX31350 | 816874016364 Monster Truck Electronics and Battery Tray (Green)      |         |   |
| AX31351 | 816874016371 Monster Truck Cage Roof and Hood (Green)                |         |   |
| AX31352 | 816874016388 Monster Truck Cage Front and Rear (Green)               |         |   |
| AX31353 | 816874016395 Monster Truck Body Post Set                             |         |   |
| AX31354 | 816874016401 AR60 Heavy Duty C-Hub Carrier                           |         |   |
| AX31355 | 816874016418 Monster Truck Motor Details                             |         |   |
| AX31356 | 816874016425 Monster Truck Driver Interior Set - .040" (Clear)       |         |   |
| AX31368 | 816874016494 Monster Truck Chassis Side Plates - .040" (Clear)       |         |   |
| AX31436 | 816874016210 Helmet Set (Glow in the Dark)                           |         |   |
| AX31459 | 816874016296 Monster Truck Grave Digger Body - .040" (Pre-Printed)   |         |   |
| AX31463 | 816874016500 Servo Saver Assembly (Flat Band Spring)                 |         |   |
| AX31464 | 816874016517 2.2 Monster Truck Wheels - 63mm (Silver) (2pcs)         |         |   |
| AX80002 | 877493003135 Diff Case - Small                                       |         |   |
| AX80009 | 877493003203 Transmission Set  |         |   |
| AX80010 | 877493003210 Gear Set  |         |   |
| AX80018 | 877493004729 Hardware Parts Tree                                     |         |   |
| AX80033 | 877493007058 10mm Shock Parts Tree 1                                 |         |   |
| AX80034 | 877493007041 10mm Shock Parts Tree 2                                 |         |   |
| AX80035 | 877493007034 10mm Shock Caps Parts Tree                              |         |   |
| AX80069 | 877493009847 AR60 OCP Axle Housing                                   |         |   |

## Option Parts

| Part #  | Description  |
|---------|--|
| AX08061 | 877493008772 2.2 VWS Beadlock Wheels (Black) (2pcs) (Fits XR10)                                |
| AX08069 | 877493008956 2.2 VWS Beadlock Rings (Black) (2pcs)   |
| AX08132 | 877493008963 2.2 VWS Machined Beadlock Rings (Orange) (2pcs)                                   |
| AX08133 | 877493009038 2.2 VWS Machined Beadlock Ring (Grey) (2pcs)                                      |
| AX08135 | 877493009779 2.2 Raceline Renegade Wheels - 41mm Wide (Black) (2pcs)                           |
| AX08137 | 877493009762 2.2 Raceline Renegade Wheels - 41mm Wide (Chrome/Black) (2pcs)                    |
| AX08141 | 816874011963 2.2 Trail Ready HD Series Beadlock w/Slim Ring - IFD™ Wheels - Black(2pcs)        |
| AX08142 | 816874012007 2.2 Trail Ready HD Series Beadlock w/Slim Ring - IFD™ Wheels - Chrome/Black(2pcs) |
| AX12015 | 877493009519 2.2 Ripsaw Tires - R35 Compound (2pcs)  |
| AX12021 | 816874011949 2.2 BFGoodrich Krawler T/A - R35 Compound (2pcs)                                  |
| AX12022 | 816874012052 2.2 Maxxis Trepador Tires - R35 Compound (2pcs)                                   |
| AX24003 | 816874010096 20T Electric Motor  |
| AX24007 | 877493005863 Axial 55T Electric Motor  |
| AX24010 | 816874011703 Brushless 2900KV Electric Motor   |
| AX24251 | 877493006893 Axial NVS - Night Visions System  |
| AX24252 | 877493006976 Axial Double LED Light String (White LED)   |
| AX24253 | 877493006969 Axial Double LED Light String (Red LED)   |
| AX24254 | 877493006952 Axial Double LED Light String (Orange LED)  |

# Option Parts

| Part #  | Description  | Part #  | Description  |
|---------|--|---------|--|
| AX24255 | 877493006945 Axial Single LED Light String (White LED)                         | AX31329 | 816874015015 35T Trail Breaker Electric Motor (Rebuildable)                  |
| AX24256 | 877493007010 Axial 5 LED Light String (White LED)                              | AX31330 | 816874015022 55T Trail Breaker Electric Motor (Rebuildable)                  |
| AX24257 | 877493007614 Simple LED Controller w/LED lights (4 white and 2 Red)            | AX31331 | 816874015039 RR10 Rear Sway Bar Set (Soft)                                   |
| AX24258 | 816874010065 4 LED Light String (White LED)                                    | AX31338 | 816874015428 Trail Breaker Electric Motor Rebuild Kit                        |
| AX24259 | 877493008451 Axial AE-2 Forward/Reverse ESC w/Drag Brake                       | AX31363 | 816874015480 2.2 Method Beadlock Wheels - IFD™ Wheels - Green (2pcs)         |
| AX24260 | 816874011055 AE-3 Vanguard ESC   | AX31363 | 816874015480 2.2 Method Beadlock Wheels - IFD™ Wheels - Green (2pcs)         |
| AX30092 | 877493007126 Axial 72-103mm Shock Set - 10mm Piston (2pcs)                     | AX31364 | 816874015497 2.2 Method Beadlock Wheels - IFD™ Wheels - Orange (2pcs)        |
| AX30110 | 877493007119 Axial Aluminum 13mm Aluminum Preload Collar (2pcs)                | AX31364 | 816874015497 2.2 Method Beadlock Wheels - IFD™ Wheels - Orange (2pcs)        |
| AX30111 | 877493007102 Axial Aluminum Shock Cap (2pcs)                                   | AX31365 | 816874015503 2.2 Method Beadlock Wheels - IFD™ Wheels - White (2pcs)         |
| AX30214 | 877493004217 Spring 14x90mm 1.71 lbs/in - (White)                              | AX31365 | 816874015503 2.2 Method Beadlock Wheels - IFD™ Wheels - White (2pcs)         |
| AX30215 | 877493003746 Spring 14x90mm 2.25 lbs/in - Medium (Green)                       | AX31366 | 816874016531 2.2 Monster Truck Wheels - 63mm (Orange) (2pcs)                 |
| AX30217 | 877493004231 Spring 14x90mm 3.01 lbs/in - Super Firm (Blue)                    | AX31425 | 816874016104 Spring 14x90mm 2.78 lbs/in - Yellow (2pcs) (Blue Springs)       |
| AX30395 | 877493004071 Heavy Duty Bevel Gear Set - 38T/13T                               | AX31428 | 816874016128 AR60 Steering Upgrade Kit (Aluminum)                            |
| AX30401 | 877493006860 Heavy Duty Bevel Gear Set - 36T/14T                               | AX31429 | 816874016135 AR60 Machined High Clearance Differential Cover (Hard Anodized) |
| AX30402 | 877493006891 Heavy Duty Bevel Gear Set - 43T/13T                               | AX31430 | 816874016142 King Shocks Aluminum Caps and Collars Set - 12mm (Blue) (4pcs)  |
| AX30438 | 877493007188 Machined Shock Piston 10mm - 1.2x2 (4pcs)                         | AX31431 | 816874016159 Aluminum Shock Spring Retainer - 12mm (Blue) (2pcs)             |
| AX30482 | 877493003081 AX10 Scorpion Motor Plate   | AX31432 | 816874016166 AR60 Machined Servo Plate and Mounts Set (Hard Anodized)        |
| AX30500 | 877493004682 Heavy Duty Locker (2pcs)  | AX31433 | 816874016173 AR60 Machined Link Mounts (Hard Anodized) (2pcs)                |
| AX30708 | 816874012021 AX10 Locked Transmission - Complete Metal Gear Set - Steel (3pcs) | AX31434 | 816874016180 AR60 Machined Steering Knuckles (Hard Anodized) (2pcs)          |
| AX30722 | 816874011543 Pinion Gear 32P 11T (3mm shaft)                                   | AX31435 | 816874016197 Aluminum Shock Spring Retainer - 12mm (Black) (2pcs)            |
| AX30724 | 816874011246 Pinion Gear 32P 13T (3mm shaft)                                   | AX31461 | 816874016524 2.2 Monster Truck Wheels - 63mm (Green) (2pcs)                  |
| AX30725 | 816874011253 Pinion Gear 32P 14T (3mm shaft)                                   | AX80045 | 877493007997 Axial Light Bucket Set (Black)                                  |
| AX30726 | 816874011260 Pinion Gear 32P 15T (3mm shaft)                                   | AX80047 | 877493007393 Interior Details Parts Tree - Chrome                            |
| AX30727 | 816874011277 Pinion Gear 32P 16T (3mm shaft)                                   | AX80049 | 877493007973 Axial LED Lens Set - Yellow/Clear (4pcs)                        |
| AX30728 | 816874011284 Pinion Gear 32P 17T (3mm shaft)                                   | AX80070 | 877493009854 AR60 OCP Differential Cover                                     |
| AX30760 | 877493009137 XR10 Aluminum Steering Knuckle (Black) (2pcs)                     | AX80073 | 877493009885 AR60 OCP Steering Link  |
| AX30762 | 877493009144 XR10 Aluminum C-Hub Carrier (Black) (2pcs)                        | AX80085 | 816874010638 Universal Mount 5 Bucket Light Bar (Black)                      |
| AX30780 | 816874010140 AR60 OCP Universal Axle Set                                       | AX80086 | 816874010621 Light Bar Lenses (Clear) (5pcs)                                 |
| AX30789 | 816874010188 AR60 OCP Aluminum Straight Axle Hub Carrier (2pcs)                | AX80131 | 816874012120 Helmet Set  |
| AX30829 | 816874010386 AR60 OCP Machined Low-Profile Differential Cover                  | AX8091  | 877493002046 Axial 2.2 Rockster Beadlocks (Black)                            |
| AX30830 | 816874010393 Axial AR60 OCP Machined Link Mounts                               | AX8092  | 877493002053 Axial 2.2 Rockster Beadlocks (Chrome)                           |
| AX30831 | 816874010287 AR60 OCP™ Front Axle Set (Complete)                               | AX8095  | 877493002060 Axial 2.2 Rockster Beadlocks (Black Chrome)                     |
| AX30834 | 816874010409 Aluminum Servo Horn 23T   | AX8097  | 877493004453 2.2 8 Hole Beadlocks (Black)                                    |
| AX30835 | 816874010416 Aluminum Servo Horn 24T   | AX8112  | 877493002619 2.2 Beadlock Ring - Grey (2pcs)                                 |
| AX30836 | 816874010423 Aluminum Servo Horn 25T   | AX8117  | 877493002664 2.2 Rock Beadlock Ring - Grey (2pcs)                            |
| AX30860 | 816874011512 Machined Motor Plate (Hard Anodized)                              | AXA1076 | 816874011437 Cap Head Washer M3x10mm (4pcs)                                  |
| AX31047 | 816874012380 Brushless 3150KV Electric Motor                                   | AXA1101 | 877493003432 Cone Washer 3x6.9x2mm (6pcs)                                    |
| AX31058 | 816874012755 Yeti™ Rear Sway Bar (3pcs) (Soft, Medium, Firm)                   | AXA1104 | 877493005443 Cone Washer 3x6.9x2mm - Orange (6pcs)                           |
| AX31069 | 816874014766 Metal Spur Gear 32P 68T   | AXA1105 | 877493006020 Cone Washer 3x6.9x2mm - Grey (6pcs)                             |
| AX31077 | 816874014414 2.2 Falken Wildpeak M/T - R35 Compound (2pcs)                     | AXA1331 | 877493003555 Flanged Ball 3x5.8x7mm (6pcs)                                   |
| AX31097 | 816874012243 3 Port High Output LED Controller                                 | AXA1412 | 877493006037 0.5x6mm Spacer - Grey (6pcs)                                    |
| AX31098 | 816874012250 8 LED Light String (White LED)                                    | AXA1413 | 877493006044 1x6mm Spacer - Grey (6pcs)                                      |
| AX31118 | 816874012342 2.2 Walker Evans Wheels - IFD™ Wheels - Black(2pcs)               | AXA1414 | 877493006051 2x6mm Spacer - Grey (6pcs)                                      |
| AX31136 | 816874012885 Icon 87-125mm Aluminum Shock Set - 10mm Piston (2pcs)             | AXA1415 | 877493006068 3x6mm Spacer - Grey (6pcs)                                      |
| AX31138 | 816874012632 Aluminum Shock Body 12x59mm (2pcs)                                | AXA1416 | 877493006075 4x6mm Spacer - Grey (6pcs)                                      |
| AX31152 | 816874012229 Universal Rigid Light Bar Set                                     | AXA1417 | 877493006082 5x6mm Spacer - Grey (6pcs)                                      |
| AX31153 | 816874012816 Spring 14x90mm 0.90 lbs/in - Black (2pcs)                         | AXA1418 | 877493006099 6x6mm Spacer - Grey (6pcs)                                      |
| AX31154 | 816874012823 Spring 14x90mm 1.01 lbs/in - Purple (2pcs)                        | AXA1419 | 877493006105 7x10mm Post - Grey (2pcs)                                       |
| AX31155 | 816874012830 Spring 14x90mm 1.14 lbs/in - Orange (2pcs)                        | AXA1420 | 877493006112 7x15mm Post - Grey (2pcs)                                       |
| AX31160 | 816874012922 Steel Spur Gear 32P 68T   | AXA1421 | 877493006129 7x20mm Post - Grey (2pcs)                                       |
| AX31161 | 816874012939 Steel Spur Gear 32P 64T   | AXA1422 | 877493006136 7x25mm Post - Grey (2pcs)                                       |
| AX31162 | 816874012946 Steel Spur Gear 32P 60T   | AXA1423 | 877493006143 7x30mm Post - Grey (2pcs)                                       |
| AX31163 | 816874012953 Steel Spur Gear 32P 56T   | AXA1424 | 877493006150 7x35mm Post - Grey (2pcs)                                       |
| AX31171 | 816874013028 Icon 72-103mm Aluminum Shock Set - 10mm Piston (2pcs)             | AXA1425 | 877493006167 7x40mm Post - Grey (2pcs)                                       |
| AX31173 | 816874013042 Icon 93-137mm Aluminum Shock Damper Set - 10mm Piston (2pcs)      | AXA1426 | 877493006174 7x45mm Post - Grey (2pcs)                                       |
| AX31178 | 816874014261 2.2 Method Beadlock Wheels - IFD™ Wheels - Black(2pcs)            | AXA1427 | 877493006181 7x50mm Post - Grey (2pcs)                                       |
| AX31188 | 816874013134 Icon Aluminum Shock Body 12x47.5mm (2pcs)                         | AXA1428 | 877493006198 7x55mm Post - Grey (2pcs)                                       |
| AX31191 | 816874013165 Icon Shock Cap (12mm) (2pcs)                                      | AXA1429 | 877493006204 7x60mm Post - Grey (2pcs)                                       |
| AX31244 | 816874014339 Upper Link Plate Set (Aluminum) (4pcs)                            | AXA1430 | 877493006211 7x65mm Post - Grey (2pcs)                                       |
| AX31245 | 816874014346 Lower Link Plate Set (Aluminum) (4pcs)                            | AXA1431 | 877493006228 7x70mm Post - Grey (2pcs)                                       |
| AX31250 | 816874014391 M4 Serrated Nylon Lock Nut (Black) (10pcs)                        |         |  |
| AX31290 | 816874014957 AR60 OCP Full Width Axle Adapter Set                              |         |  |
| AX31296 | 816874015251 Aluminum Shock Body 12x59mm (Clear Anodized) (2pcs)               |         |  |
| AX31297 | 816874015367 Spring 14x90mm 2.25 lbs/in - Green (2pcs) (Blue Springs)          |         |  |
| AX31297 | 816874015367 Spring 14x90mm 2.25 lbs/in - Green (2pcs) (Blue Springs)          |         |  |
| AX31300 | 816874015268 10mm Shock Parts Tree 2 (Blue)                                    |         |  |
| AX31301 | 816874015275 10mm Shock Caps Parts Tree (Blue)                                 |         |  |
| AX31312 | 816874014940 35T Electric Motor  |         |  |

# THE NEXT CHAPTER AWAITS

# SCX10™



© 2016 Axial R/C Inc. A subsidiary of Hobbico, Inc.

BUILDER'S KIT  
**SCX10 II™ 2000**  
**JEEP® CHEROKEE**  
1:10 | ELECTRIC | 4WD | #AX90046

OFFICIALLY  
LICENSED BY:



**KEY FEATURES:**

- AR44 HI-PINION AXLES | AR44 UNIVERSAL AXLE SET | SCX10 II™ TRANSMISSION
- CHASSIS MOUNTED SERVO (CMS) | ICON ALUMINUM SHOCKS | ALL ALUMINUM SUSPENSION LINKS
- BFGOODRICH® ALL-TERRAIN T/A® KO2 TIRES (R35) | METHOD MESH WHEELS (BLACK)
- ALL ALUMINUM SUSPENSION LINKS | WB8 HD WILD BOAR™ DRIVESHAFTS | DUAL SLIPPER CLUTCH
- JCR OFFROAD VANGUARD BUMPERS, ADVENTURE ROOFRACK & XJ ROCK SLIDERS



[www.axialracing.com](http://www.axialracing.com)



facebook.com/axialinc



youtube.com/axialvideos



instagram.com/axialracing



twitter.com/axialrc



Jeep, the Jeep grille and related logos, vehicle model names and trade dress are trademarks of FCA US LLC and used under license by Axial Inc. © 2016 FCA US LLC.  
BFGoodrich® Tires and All-Terrain T/A® KO2 Trademarks are used under License from Michelin



## EXPLORE

[facebook.com/axialinc](https://facebook.com/axialinc) | [twitter.com/axialrc](https://twitter.com/axialrc) | [youtube.com/axialvideos](https://youtube.com/axialvideos) | [flickr.com/axialrc](https://flickr.com/axialrc)